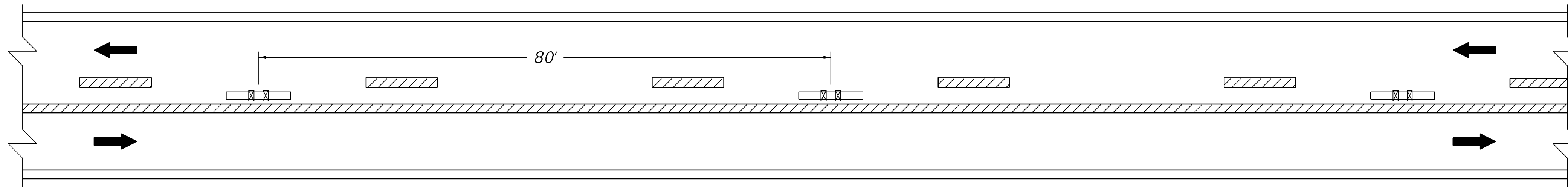
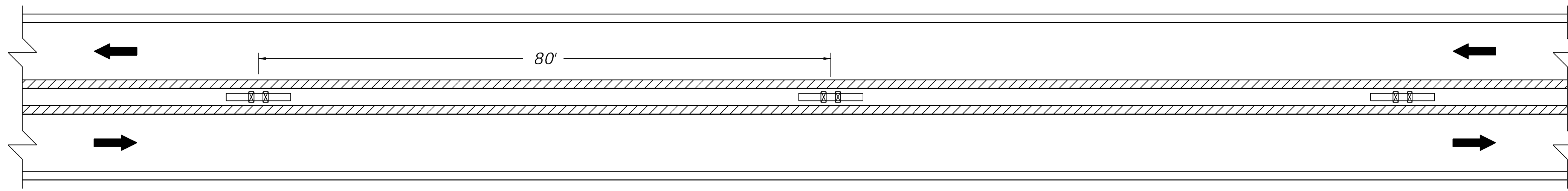


ARRANGEMENT "A" (PASSING PERMITTED FOR BOTH DIRECTIONS OF TRAVEL)



ARRANGEMENT "B" (PASSING PERMITTED FOR ONE DIRECTION OF TRAVEL)



ARRANGEMENT "C" (PASSING PROHIBITED FOR BOTH DIRECTIONS OF TRAVEL)

~ NOTES ~

1. MARKERS INSTALLED ALONG DASHED YELLOW CENTERLINES SHALL BE PLACED BETWEEN AND IN LINE WITH THE DASHES.
2. MARKERS INSTALLED WITH DOUBLE YELLOW CENTERLINES SHALL BE PLACED BETWEEN THE TWO LINES.
3. MARKERS SHALL NOT BE INSTALLED ON TOP OF THE PAVEMENT JOINT. OFFSET MARKERS A MINIMUM OF 2" FROM THE PAVEMENT JOINT. ENSURE THAT THE FINISHED LINE OF MARKERS IS STRAIGHT WITH MINIMAL LATERAL DEVIATION. MARKERS MAY BE ELIMINATED OR PLACEMENT ADJUSTED AT THE DISCRETION OF THE ENGINEER.

BID ITEMS
06612 - INLAID PAVEMENT MARKER - BY

UNIT TO BID
EACH

LEGEND

- BI-DIRECTIONAL PAVEMENT MARKER (YELLOW)
- MARKINGS (YELLOW)
- MARKINGS (WHITE)

SUBMITTED  DIVISION DIRECTOR 06-09-21
DATE



COMMONWEALTH OF KENTUCKY
DEPARTMENT OF HIGHWAYS



DRAWING TITLE: SEPIA 009 - INLAID PAVEMENT MARKER ARRANGEMENTS TWO-LANE, TWO WAY ROADWAYS

ITEM NO. COUNTY OF

SHEET NO.